



i-LUMINOSITY
LED LIGHTING FIXTURES

Date:	_____
Project:	_____
Price:	_____

ARCHITECTURAL RECESSED DOWNLIGHTS

Description:

Our Architectural Recessed Downlight Retrofits come with an integrated LED power supply and thermal management system combined in a single compact unit, designed to fit most standard recessed cans. This product is perfect for remodels and new construction applications.

Features:

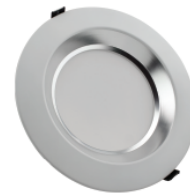
- Input Power: 120-277VAC, 50-60Hz
- Power Consumption: 27W or 54W.
- Lumen Output: 2000Lm & 5000Lm
- CRI >90
- 0-10V dimmable option available.
- Lighting controls option available.
- Available Housing Options: Standard white circular face, Specular white circular face or Standard can square trim.
- Available Color Options: 3000K, 3500K, 4000K or 5000K.
- L70 Lifetime: >50,000 hours.
- Operating Temperature: -4°F ~ 122°F.
- Rated for wet locations.
- 7 Year Warranty.
- Dimensions: D9.52" x H4.88"
L9.84" x W9.84" x H4.88"



Housing Options:



Standard White Face

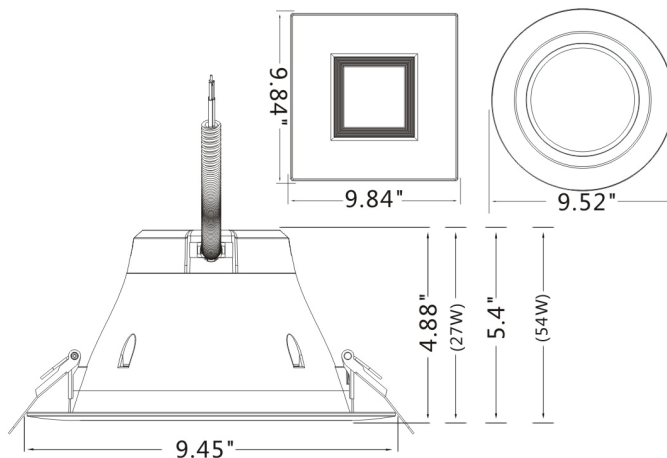


Specular White Trim Face



Standard Can Trim Face

Dimensions:





i-LUMINOSITY
LED LIGHTING FIXTURES

Date:	_____
Project:	_____
Price:	_____

Ordering Key:

SERIES NUMBER	WATTS / SIZE / LUMENS	CCT	FINISH	ADDITIONAL OPTIONS
ILDRARCCL	27W - 8 IN / 2000	3K - 3000K	SQ - SQUARE TRIM	DM - 0-10V DIMMING
	54W - 8 IN / 5000	35K - 3500K	WRD - WHITE ROUND TRIM	EM - EMERGENCY BACKUP
		4K - 4000K	SRD - SILVER ROUND TRIM	
		5K - 5000K		

SAMPLE ITEM NUMBER: ILDRARCCL 54 3 SRD DM

Electrical Data:

- **Input power:** Stays consistent over life
- **Input Voltage:** 120V
- **Operating Temperature:** -4°F ~ 122°F
- **CRI:** >90
- **L70 Lifetime:** >50,000 hours

Controls:

- This LED fixture is equipped with a 0-10V dimming driver that works universally with any standard 0-10V control or dimmer.
- Tuning and sequential lighting controls are available for this product.

Optical System:

- A unique combination of reflective & refractive optical components achieves a uniform, comfortable look while eliminating pixelation & color fringing.
- Parts work in unison to optimize light distribution, balancing the high delivery of high illuminance levels on horizontal surfaces with an ideal amount of light on walls and vertical surfaces, increasing perception of spaciousness.



Date:	_____
Project:	_____
Price:	_____

The 8" LED Recessed Kit is designed to be install in a standard 8" mounting frame. LED Retrofit kit includes 8" LED module (1), Conduit with connector (1), Wire nuts (5). Note Not all existing mounting frames will be compatible with the 8" LED. To ensure compatibility, a test installation should be conducted.

