

Date:	_____
Project:	_____
Price:	_____

6" & 8" Architectural Recessed Down Light

Description:

6" & 8" Architectural recessed down light retrofit solution with integrated LED power supply and thermal management system combined in a single compact unit designed to fit most standard recessed cans. Applicable to remodel and new construction applications.

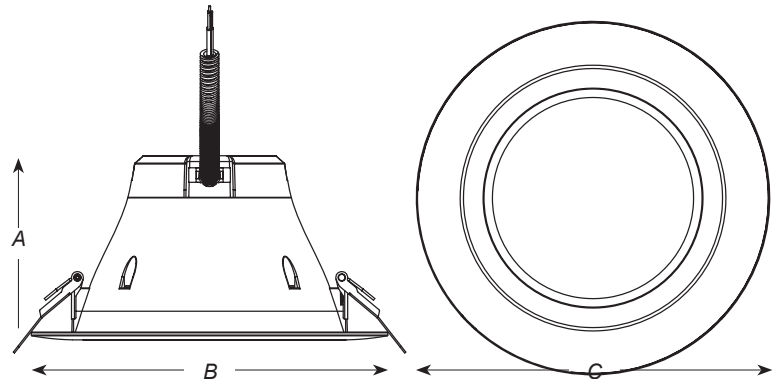


Features:

- Long-life LEDs with up to 50,000 hours at 70% lumen maintenance
- Utilizes 1.18W high power, high quality LEDs
- Compatible with most standard-sized housings in insulated, non-insulated and air-tight ceilings
- Durable thermoplastic construction
- Built-in, high-efficiency LED Driver
- Saves 75% over incandescent lamps
- 120-277 Multi-Volt
- ETL Listed for wet locations (-20°C -40°C; -4°F - 104°F)



Square Snap-In Plate Option (SWWCLSQ-TP-ARC)



Model Number	Lumens	Color	Dimensions (in)	Wattage
SWWCLRKTA-27W-35K	2000	3500k	4 ⁷ / ₈ " x 9 ¹ / ₂ " x 9 ¹ / ₂ "	27W
SWWCLRKTA-27W-5K	2000	5000k	4 ⁷ / ₈ " x 9 ¹ / ₂ " x 9 ¹ / ₂ "	27W
SWWCLRKTA-17W-35K	1500	3500k	3 ⁷ / ₈ " x 7 ³ / ₈ " x 7 ³ / ₈ "	17W
SWWCLRKTA-17W-5K	1500	5000k	3 ⁷ / ₈ " x 7 ³ / ₈ " x 7 ³ / ₈ "	17W

