



**i-LUMINOSITY**  
LED LIGHTING FIXTURES

Date:	_____
Project:	_____
Price:	_____

## 4" & 6" LED Dedicated Cans

4" & 6" LED dedicated housing is designed for new construction installations, retrofits, and suitable for ceilings where the housing can be in direct contact with insulation. Air tight construction reduces energy costs by reducing the amount of air leakages through the ceiling.

### Features:

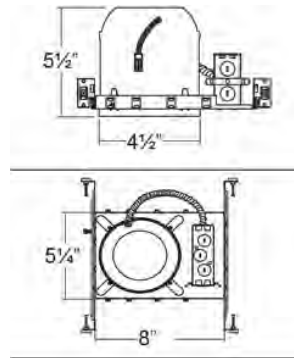
- Steel construction. The housing can be removed from the plaster frame to provide access to the junction box.
- Listed for through branch circuit wiring.
- Contains one 1 1/8", six 7/8" knockouts and four Romex pryouts with strain relief.
- Pre-installation easily installs to regular lumber or engineered lumber.
- Bar Hangers are adjustable from 13 5/8" to 25" and can be repositioned 90 degrees on plaster frame.

## New Construction Cans



### DIMENSIONS

4IN

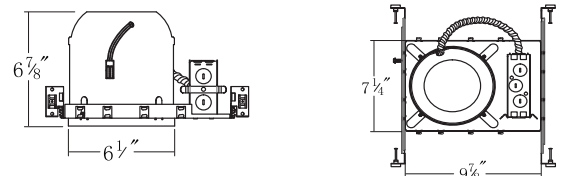


- Steel construction. The housing can be removed from the plaster frame to provide access to the junction box.
- Listed for through branch circuit wiring.
- Contains one 1 1/8", six 7/8" knockouts and four Romex pryouts with strain relief.
- Pre-installed real nail easily installs in regular lumber, engineered lumber.
- Bar Hangers are adjustable from 13 5/8" to 25" and can be repositioned 90 degrees on plaster frame.



### DIMENSIONS

6IN



Date:	_____
Project:	_____
Price:	_____

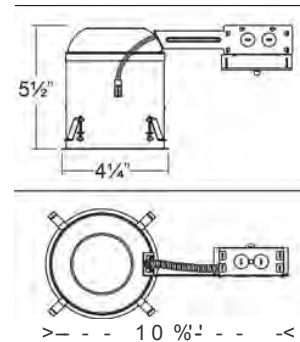
## Retrofit Cans

### Features:

- Listed for through branch circuit wiring.
- Contains one 1 1/8", six 7/8" knockouts and four Romex pryouts with strain relief.
- Housing adjusts from 5/8" to 1 3/8" to accommodate various ceiling thickness.
- Four remodel clips secure housing and accommodates 1/2" and 5/8" ceiling materials.



### DIMENSIONS



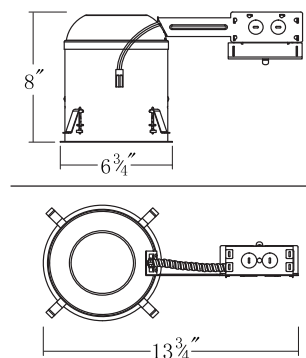
4IN

### Features:

- Listed for through branch circuit wiring.
- Contains one 1 1/8", six 7/8" knockouts and four Romex pryouts with strain relief.
- Housing adjusts from 5/8" to 1 3/8" to accommodate various ceiling thickness.
- Four remodel clips secure housing and accommodates 1/2" and 5/8" ceiling materials.



### DIMENSIONS



6IN



Date:	_____
Project:	_____
Price:	_____

## Ordering Key:

SERIES NUMBER	SIZE	MODEL	FINISH	ADDITIONAL OPTIONS
ILDLCCL	4 - 4 INCH	NC - NEW CONSTRUCTION		
	6 - 6 INCH	RT - RETROFIT		

SAMPLE ITEM NUMBER: ILDLDCCL 4 NC

### Electrical Data:

- **Input power:** Stays consistent over life
- **Operating Temperature:** -4°F ~ 104°F
- **CRI:** >90
- **L70 Lifetime:** >100,000 hours

### Optical System:

- A unique combination of reflective & refractive optical components achieves a uniform, comfortable look while eliminating pixelation & color fringing.
- Parts work in unison to optimize light distribution, balancing the high delivery of high illuminance levels on horizontal surfaces with an ideal amount of light on walls and vertical surfaces, increasing perception of spaciousness.

