

Date:	_____
Project:	_____
Price:	_____

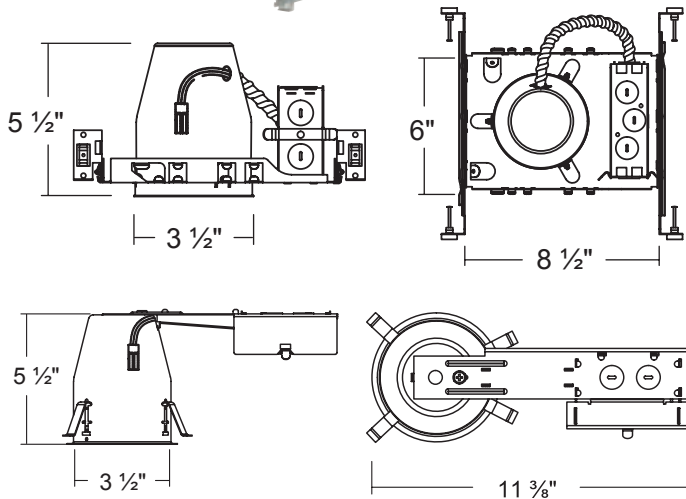
# 3 1/2" LED Recessed Housings

## Description:

3 1/2" LED Recessed Housings are designed for LED trims and modules and are adaptable for remodel and new construction applications. Durable galvanized steel construction contains one 1 1/8", six 7/8" knockouts and four romex pryouts with strain relief.

## Features:

- Dedicated housings for LED trims and modules
- 2-pin snap-on connector for easy connection to LED trims/modules
- Four clips on remodel cans provided to secure to housing and accommodate 1/2" and 5/8" ceilings
- Bar hangers on new construction models are adjustable from 13 5/8" to 25" and can be repositioned 90° on plaster frame
- Pre-installed real nail on new model easily installs in regular and engineered lumber
- Galvanized steel construction
- Contains one 1 1/8", six 7/8" knockouts and four romex pryouts with strain relief
- Housing on new construction model can be removed from frame to provide access to the junction box
- cULus Listed for wet locations
- Certified under ASTM-E283 for air tight construction



MODEL	DESCRIPTION
SWWCL3NCRCSHS	3 1/2" Dedicated LED IC housing for new construction applications
SWWCL3MRCSHS	3 1/2" Dedicated LED IC housing for remodel applications

