



i-LUMINOSITY
LED LIGHTING FIXTURES

Date:	_____
Project:	_____
Price:	_____

Vapor Tight Jelly Jar

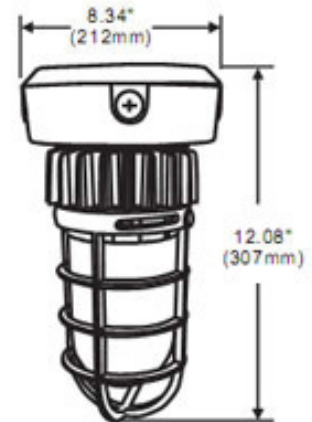
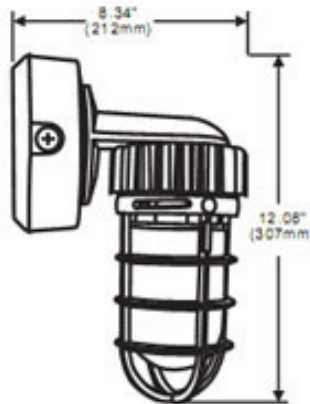
Description:

This rugged vapor-proof LED light is built to last. With industrial-grade rubber gaskets as sealants and automobile grade aluminum, this LED light is beacon against Mother Nature. With a COB Led inside, it provides performance lighting while utilizing very little power. With a die-cast guard on the outside of the glass, it protects docks, restaurants, and etc.



Features:

- Input Power: AC 120V, 50/60 Hz
- Wattage: 10W, 20W, or 30W
- CRI >90
- CCT: 3000K, 4000K, 5000K
- Available Mounting Options:
Ceiling or Wall Mounted
- L70 Lifetime: >50,000 hours.
- 0-10V dimming option available.
- Lighting controls option available.
- 7 Year Warranty.
- Dimensions
 - 8.43 x 12.08IN



Date:	_____
Project:	_____
Price:	_____

Ordering Key:

SERIES NUMBER	WATTS/ SIZE/ LUMENS	CCT	FINISH	ADDITIONAL OPTIONS
ILDCVJJ	10w - 8.4IN/ 900	3- 3000K		DM - 0-10V DIMMING
	20w- 8.4IN/ 1800	4 - 4000K		
	30w- 8.4IN/ 2700	5 - 5000K		

SAMPLE ITEM NUMBER: ILDCVJJ 10 5 DM

Controls:

- This LED fixture is equipped with 0-10V dimming that works universally with any standard 0-10V control or dimmer.

Electrical Data:

- **Input Power:** Stays consistent over life.
- **Input Voltage:** 120-277 VAC
- **CRI:** >90
- **L70 Lifetime:** >50,000 hours.

Optical System:

- A unique combination of reflective & refractive optical components achieves a uniform, comfortable look while eliminating pixelation & color fringing.
- Parts work in unison to optimize light distribution, balancing the high delivery of high illuminance levels on horizontal surfaces with an ideal amount of light on walls and vertical surfaces, increasing perception of spaciousness.

