



i-LUMINOSITY
LED LIGHTING FIXTURES

Date: _____
Project: _____
Price: _____

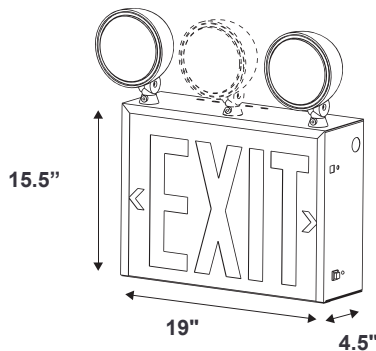
EXIT LIGHT 2-3 HEAD COMBO

Features:

- Single faced
- 2 or 3 head-combo option.
- Mounting Option: Surface mount.
- Finish option: Heavy duty white steel housing
- Emergency backup available.
- 120-277VAC
- NYC approved.
- Suitable for damp locations.
- Operation temperature: 32°F—150°F
- L70 Lifetime: >50,000 hours.
- Low voltage disconnect prevents battery from deep discharge.
- B6V10A Battery.
- Fully adjustable, 12W lamp heads
- 7 Year Warranty.
- Dimensions: 15.5" x 19" x 4.5"



Dimensions:



Ordering Key:

SERIES NUMBER	SIZE	CCT	FINISH	ADDITIONAL OPTIONS
ILEMHCSL	15 IN.	R - RED	2 - 2 Head 3 - 3 Head	EM - EMERGENCY

SAMPLE ITEM NUMBER: ILEMHCSL 15IN 2 EM

