



i-LUMINOSITY
LED LIGHTING FIXTURES

Date: _____
Project: _____
Price: _____

Emergency Light Power Supply

Best Uses are for internal and external driver LED Tubes.



Driver

ILLUMINATION

- Provides constant current (350 or 500 mA) output to the load during emergency mode operation.
- Can be operated as NORMALLY-ON, NORMALLY-OFF or SWITCHED LOAD.

ELECTRICAL

- Universal 120-277V, 50/60 Hz input.
- Charge/Power "ON" LED indicator light and push-to-test switch for mandated code compliance testing.
- Long-life, maintenance free, rechargeable NiCad battery.
- Output short/overcurrent protection: Electronic limiting, with normal operation resuming upon removal of fault.
- 90 Minute minimum emergency operating time over full temperature range (other run times available upon request).
- 24 Hour maximum battery recharge time.
- LED emergency driver is equipped with a switch to choose 350mA or 500mA constant current output.
- Output classification: Class 2 Compliant.
- Surge protection: Per C62.41 (TVS).
- Input overcurrent protection: Fusible link.

HOUSING

- LED illuminated and remote mounted test switch.
- Injection-molded, engineering grade, 5VA flame retardant, high-impact resistant, thermoplastic in a black finish.

MOUNTING

- Suitable for installation inside or top of the fixture.

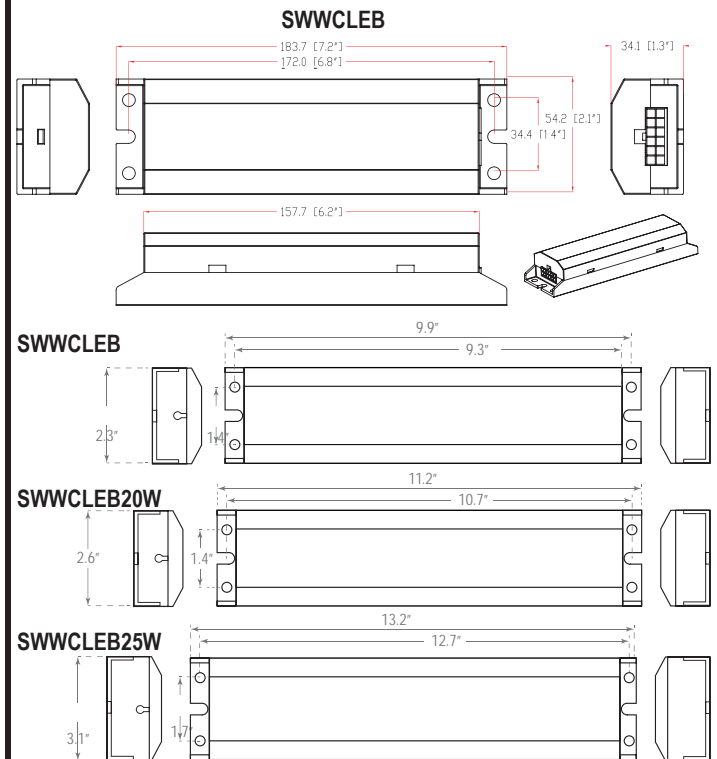


Batteries

WARRANTY/LISTING

- UL Recognized for factory installation.
- Suitable for damp locations (0°C - 50°C).
- 5 year warranty on all electronics and housing.
- Meets UL924, NFPA 101 Life Safety Code, NEC, OSHA, Local and State codes.

DIMENSIONS





i-LUMINOSITY
LED LIGHTING FIXTURES

| | |
|----------|-------|
| Date: | _____ |
| Project: | _____ |
| Price: | _____ |

LED Emergency Light Power Supply

ORDERING INFORMATION

| MODEL | OUTPUT CURRENT (mA) | OUTPUT VOLTAGE (VDC) | OUTPUT POWER (W) |
|-------------------|---------------------|----------------------|------------------|
| <i>SWWCLEB20W</i> | 500 | 14-30 | 7.0 - 15 |
| <i>SWWCLEB25W</i> | 500 | 14-40 | 7.0 - 20 |

ELECTRICAL INFORMATION

| MODEL | INPUT CURRENT (A) | INPUT POWER (W) |
|-------------------|-------------------|-----------------|
| <i>SWWCLEB20W</i> | <i>SWWCLEB</i> | 2800 |
| <i>SWWCLEB25W</i> | <i>SWWCLEB</i> | 4000 |

DRIVER / BATTERY SELECTION CHART

| MODEL | DRIVER | BATTERY | OUTPUT SELECT SWITCH |
|-------------------|----------------|---------|----------------------|
| <i>SWWCLEB20W</i> | <i>SWWCLEB</i> | 2800 | 500 |
| <i>SWWCLEB25W</i> | <i>SWWCLEB</i> | 4000 | 500 |

