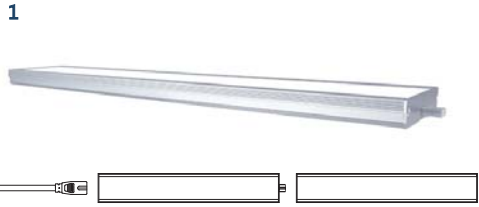


Date: _____
 Project: _____
 Price: _____



Important Message

Product features and specifications are continuously updated. The user manual at hand may differ from the original product. Product conformity

In order to avoid any damage, please study the user manual and installation guide prior to installation. Ensure the product is in working order.

2 Accessories



Wire



Screw Anchor



Safety Cap




Pendant Wire



Mounting Brackets




Mounting Screws



Protective C

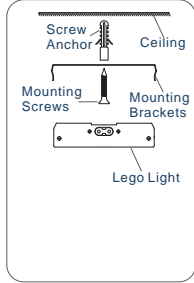


Fastening Piece

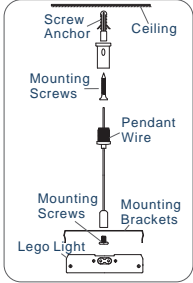


Mounting Screws

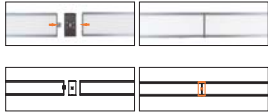
3 Installation



● Ceiling/wall mounting



● Suspe

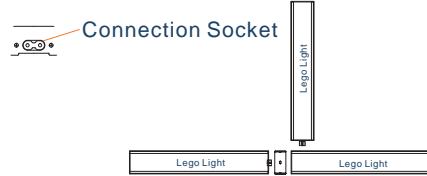


Mounting bracket installation

Place mounting bracket in between each light. Clip first light into place, then slide in second light using connection adapter. Always use mounting bracket in between each light to secure parts together.

4 Product Connection

Note: Always disconnect electricity prior to installation



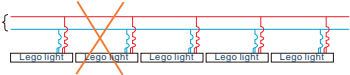
Assembling each Lego Light is very simple

1. Mount/hang the first light;
2. Insert the connection adapter;
3. Mount/hang the second light.

Take note of the wiring diagram. Our convenient and innovative design utilises a single electrical connection point.

wiring

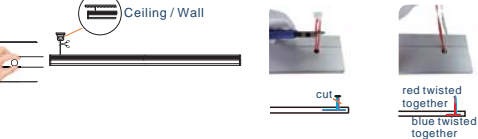
100-240 VAC



5 Tow Wiring Options: Back and End


Back wiring: used when wall or ceiling mounting the light.

1. Remove the rubber safety cap from the back panel of the light.
2. Reveal the wires through the opening.
3. Place the protective coil over the wires and snap into place.
4. Cut, strip and twist the wires together (matching colours together).
5. Slice power to the line. Positive and neutral power supplies can connect to either line.
6. Continue to connect the lights using connection adapters, up to the maximum wattage allowed.



6 End wiring


100-240 VAC



End wiring: used to interconnect lights in a consecutive order.

1. Remove the safety cap from the connection socket at the end of the light.
2. Insert the connector end of the wire into the socket.
3. Continue to connect lights/junction lights one by one, up to the maximum wattage allowed per group.

Note: When maximum wattage has been reached, a new power line must be supplied.



100-240 VAC

Note: Always disconnect electricity prior to installation

7 Maximum Wattage Per Lamp Group

Lights can be connected up to the cumulative maximum allowed wattage per each group. The line voltage on the premises also impacts this factor. To determine the required voltage for your project, simply add the wattages of the regular and junction lights together. Once a maximum wattage has been reached, a new power line must be supplied.

Input Voltage:	Max Wattage per group:
120V	300W
240V	600W

Linear Light Can be tailored to any project's requirements. Installation follows a minimalist approach with the use of lights and light segments and without the need for specialised tools and equipment.